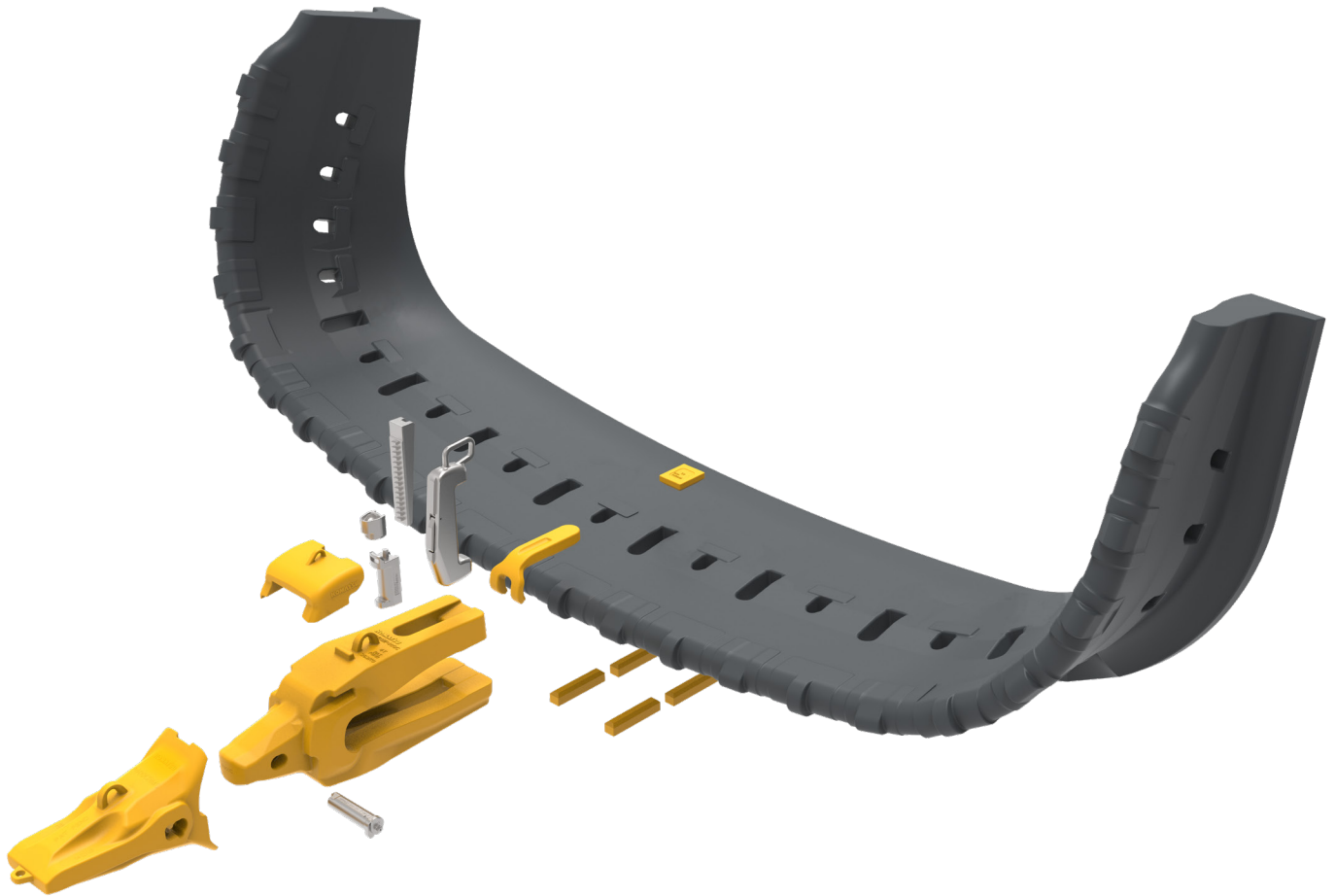


KOMATSU

STABLEprime™

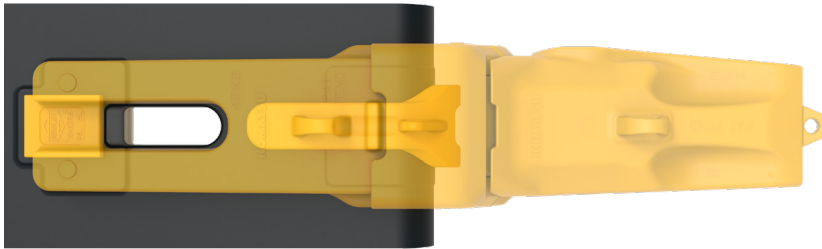


Stabilized Adapter



Designed to perform

The STABLEprime™ Stabilized Adapter system is designed to fit tight to the lip, reducing the wear on the leading edge while simultaneously reducing side-to-side movement.

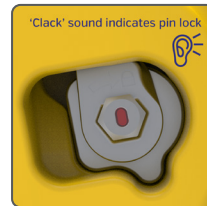
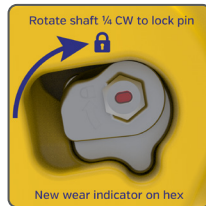


Applications	Lip types
Hard rock mining Oil Sands	WH10 (Whisler 10) WH12 (Whisler 12) TLC6



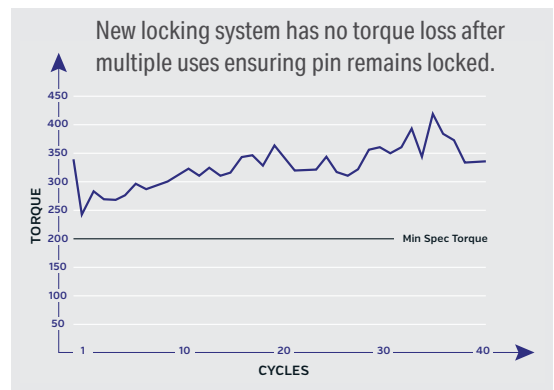
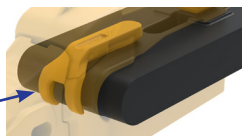
Safety enhancements

- Hammerless fastening system for safer changeout in the field
- Mechanically attached parts make replacement quick and easy
- Cast lifting eyes simplify the handling of parts
- Push out ramp on tooth to help dislodge the fastener when unlocking
- Audible “Clack” sound indicating when locked
- Pin designed for multiple tooth changes
- Wear indicator on hex head of pin
- Metric socket for locking and unlocking
- Simple 1/4 rotation to lock/unlock



Reliability

- New robust adapter design improves strength and wear life
- Stabilized components keep the system tight, limiting movement in operation
- Semi/full wing teeth provide protection to the adapter, increasing overall system life
- Adapter bottoms out on the front stabilizer
- Front stabilizer protects leading edge of lip, reducing rebuild time

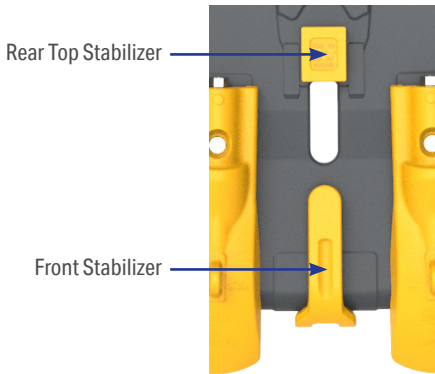
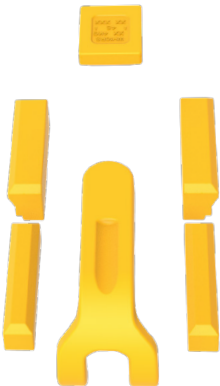


Productivity

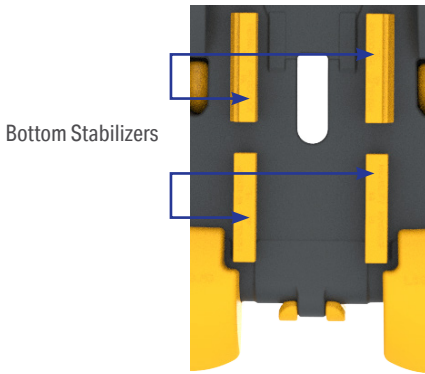
- Symmetrical nose allows for tooth rotation to extend wear life
- Hammerless system allows for quick and easy change outs
- Stabilized components protect the lip
- Limiting rebuild and rework



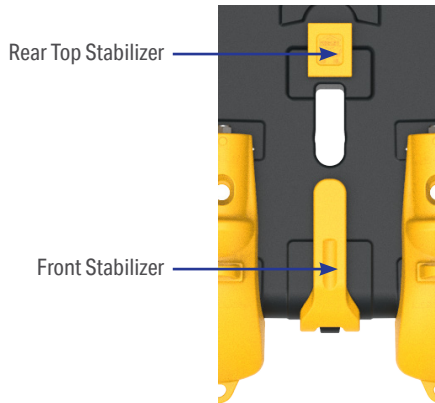
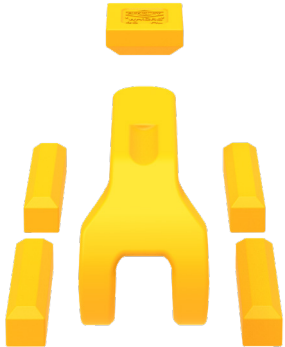
System comparisson



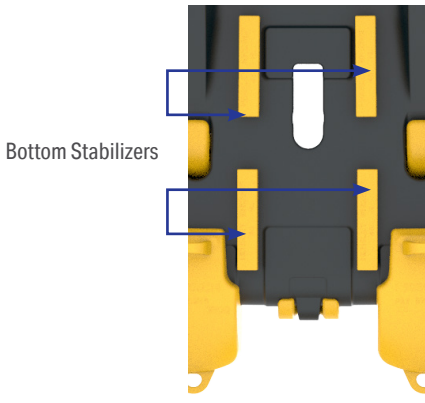
Top View



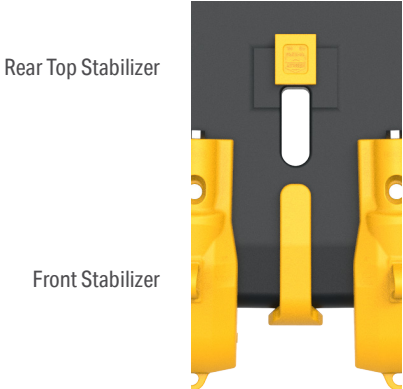
Bottom View



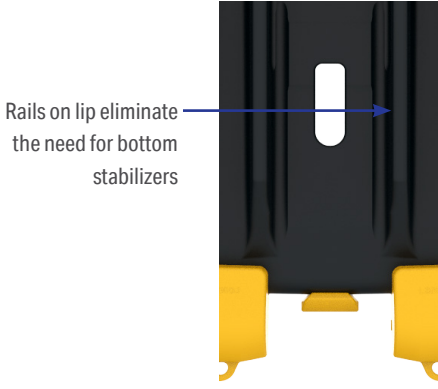
Top View



Bottom View



Top View



Bottom View

Improved adapter fastener system



C-Clamp

- Flattened front for easier removal
- Improved contact area with wedge



Shim

- Matched pitch and lead angle to wedge
- Added radius to gear allows smooth turns



Wedge

- Flattened back for easier removal
- Increased contact area with C-Clamp
- Optimized length to prevent bending



Plug

- Removed lifting wire
- Created lifting hole to assist removal
- Improved fit with updated shape

Teeth

RM

Standard
Overall applications



RMS

Standard Heavy
Standard heavy application



RMHL

Heavy Duty Long
Standard heavy application



VX

V-Chisel
Extreme duty application



SD

Point Chisel
Maximum penetration



Adapters and wear caps



Center Line
WH10
15WHS10WP400C



Down Pitch (5.0°)
WH10
16WHS10WP400C



Wear Cap
WH10
WC6P400C

WH12
15WHS12WP400C

WH12
16WHS12WP400C

WH12
WC7P400C

TLC6
15TLC6WP400C

TLC6
16TLC6WP400C

TLC6
WC7P400C

Since 1947, Hensley Industries, Inc. has dedicated itself to providing superior products and service across the globe. Hensley's continuous commitment to safety, quality, reliability and our customers enables us to help those in the field every day.

Hensley's Industries, Inc.
2108 Joe Field Road
Dallas, Texas 75229 USA

Customer service
USA/Canada (888) 406-6262
International +1 (972) 406-6262
www.hensleyind.com

KOMATSU

www.komatsu.co.za

+27 11 923 1000

Product designs, specifications and/or data in this document are provided for informational purposes only and are not warranties of any kind. Product designs and/or specifications may be changed at any time without notice. The only warranties that apply to sales of products and services are Komatsu's standard written warranties, which will be furnished upon request.

Komatsu and other trademarks and service marks used herein are the property of Komatsu Ltd., Komatsu America Corp., Komatsu Mining Corp., or one of their affiliates, or the respective owners or licensees.

